

ASSEMBLY & INSTALLATION INSTRUCTIONS

MODEL: 522621OL
2 LIGHT WALL SCNCE

I M A G E



If you have any questions or problems assembling your fixture please call us for assistance.

Customer Service: (702) 361-4345 or (800) 525-2655
customer.services@kalco.com

WARNING! TO REDUCE THE RISK OF FIRE OR INJURY PLEASE TAKE PRECAUTION AND FOLLOW THE STEPS BELOW.

1. This product must be installed in accordance with the applicable installation code by a person familiar with the construction and operation of the product and the hazards involved.
2. Turn off the power to the fixture's circuit at the service panel. Use a voltage detector to verify that the power is off.
3. DO NOT install bulb which exceeds the maximum wattage specified on the socket label.

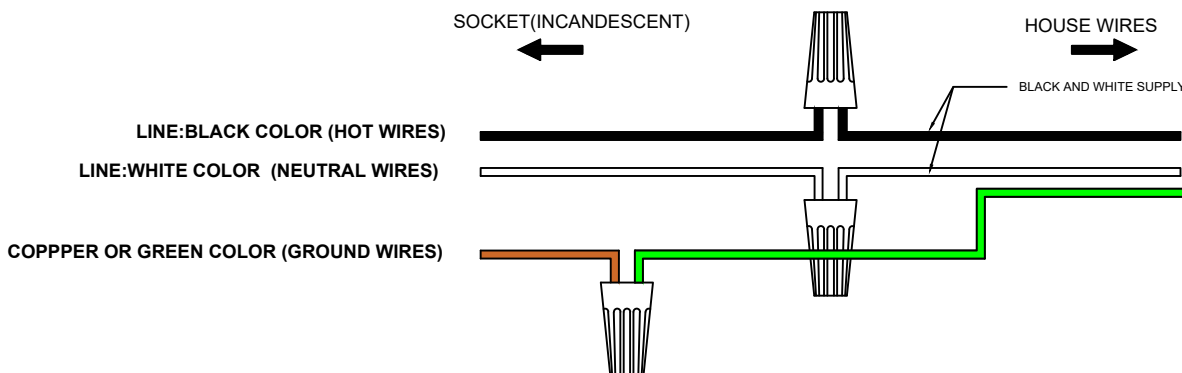
Si vous avez des questions ou des problèmes assemblage de votre dispositif s'il vous plait appel pour l'assistance.

Customer Service: (702) 361-4345 or (800) 525-2655
customer.services@kalco.com

AVERTISSEMENT! POUR RÉDUIRE LES RISQUES D'INCENDIE OU DE BLESSURES S'IL VOUS PLAÎT PRENDRE DES PRÉCAUTIONS ET SUIVEZ LES ÉTAPES CI-DESSOUS.

1. Ce produit doit être installé conformément au code d'installation applicable par une personne connaissant la construction et le fonctionnement du produit ainsi que les dangers encourus.
2. Coupez l'alimentation au circuit de l'appareil sur le tableau de service. Utiliser un détecteur de tension pour vérifier que l'alimentation est coupée
3. NE PAS installer l'ampoule qui excède la puissance maximale indiquée sur l'étiquette du socket.

WIRING DIAGRAM



ASSEMBLY & INSTALLATION INSTRUCTIONS

MODEL: 522621OL
2 LIGHT WALL SCONCE

ELECTRICAL / MOUNTING INSTALLATION

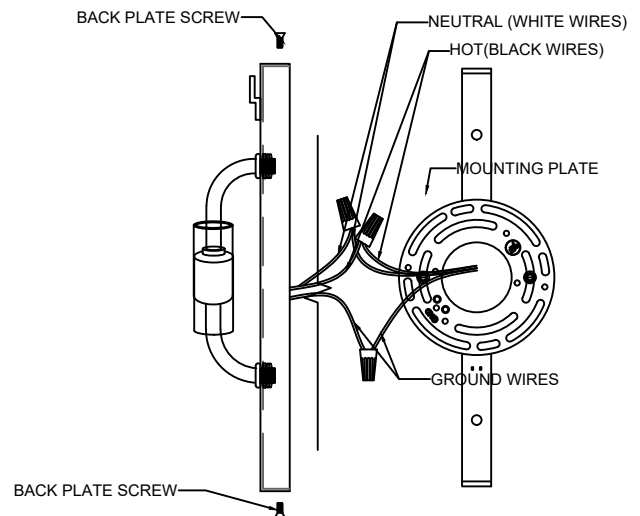
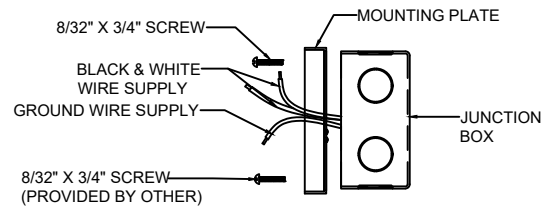
STEP 1: Attach mounting plate to outlet box with the (2) 8-32 x 3/4" screws (provided by other).

STEP 2: Connect bare ground wire from the outlet box (if supplied) with connectors.

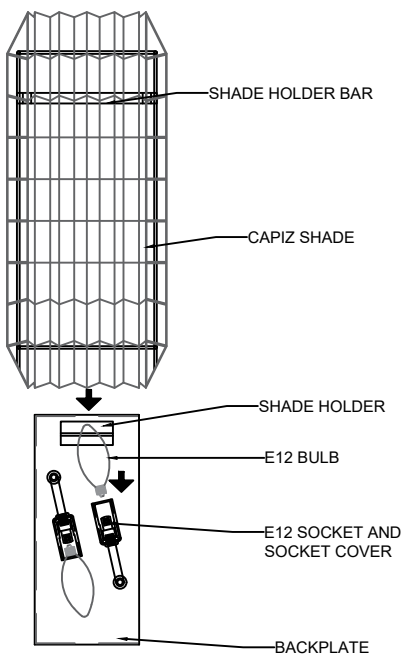
STEP 3: Refer to wiring diagram. With wire carefully threaded through back plate, connect the black supply wire to the black fixture wire with wire connector, connect the white supply wire to the white fixture wire with wire connector.

STEP 4: Carefully tuck all wires into outlet box ensuring that there are no wires pinched between the back plate and wall.

STEP 5: Lock fixture in place using screws provided.



COMPONENT ASSEMBLY



STEP 6: Install (3) candelabra base bulbs. Do not use bulbs that exceed 40 watts

STEP 7: Carefully install the capiz shade by attaching the shade holder bar to the shade hold of back plate.

FOR LIGHTING MAINTENANCE:

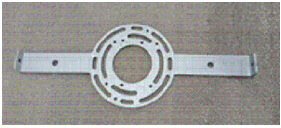

- Regular cleaning of fixture with proper and gentle care using a soft duster, soft lint-free or damp cloth is recommended.
- Refrain from using harsh cleaning liquids that may cause chemical reaction on the hand painted finishes.
- Always refer to the Assembly Instruction before removing any components.
- HANDLE WITH CARE.



ASSEMBLY & INSTALLATION INSTRUCTIONS

MODEL: 522621OL
2 LIGHT WALL SCONCE

PARTS LIST

IMAGE	PARTS NAME	QTY
	Mounting Plate	1 PC
	Screw	2 PCS

Grace Denniston

Grace Denniston (May 14, 2025 08:57 PDT)